



**Sentinel 4.0t Hydraulic 2 Post Lift
with base frame + 3 stage arms**

SF 9207

www.garageequipmentdirect.co.uk

Tel: 024 76491973



Key Features

- **Electro-hydraulic operation**
- **Asymmetric lifting arms 3 stages for lifting a wide range of vehicles**
- **Rapid lifting time**
- **Structural base frame**
- **Electronically controlled safety latches**



Sentinel 4.0t Hydraulic 2 Post Lift with base frame + 3 stage arms

SF 9207

About SF 9207

The SF 9207 is mounted on a heavy duty steel base frame providing a stable lifting platform and the minimum lifting pad height of only 100mm ensures that even vehicles with low ground clearance can be accommodated on the lift.

The lift has 3 stage arms enabling the lift to be used on a wide range of vehicles.

Minimum floor requirements for installation are a level 150mm thickness of C25 concrete. Power supply of 400V 3Ph via a 20 amp fused isolator. Single phase options available.

Both single and three phase versions of the SF 9207 lift requires an electrical supply with neutral and earth.

Part Numbers and Ordering Information

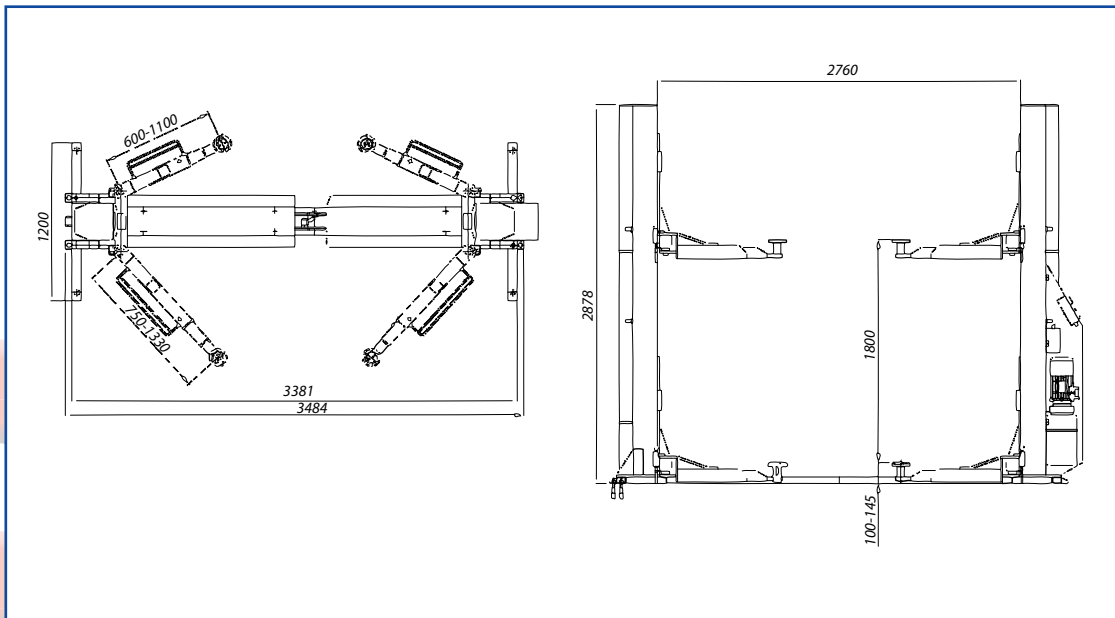
Description	Part No
Sentinel 4.0t 2 Post Hydraulic Lift 3Ph with base frame (3 stage arms)	SF 9207
Sentinel 4.0t 2 Post Hydraulic Lift 1Ph with base frame (3 stage arms)	SF 9207/1

Options & Accessories

Description	Part No
High Lift Pad Kit 150mm Set of 4	OA 60293

Technical Specifications & Dimensions

Pad Height Min	100mm
Raised Height	1800mm
Motor Supply	1.8kw
Drive Through Width	2551mm
Maximum Load	4000kg
Lifting / Lowering Time	60 secs / 75 secs
Net Weight	720kg
Power Supply	400V 3Ph 50Hz 230V 1Ph 50Hz



Tecalemit After Sales Support

All Tecalemit equipment is supported throughout the UK by factory trained Tecalemit Service Engineers. Tecalemit Engineers are fully accredited through Tecalemit's own UKAS accredited laboratory. In addition to scheduled calibration Tecalemit offers a comprehensive range of extended service and maintenance packages – please contact your supplier for information.

All information in this document is correct at time of publication. Tecalemit reserves the right to amend and alter specifications without prior notice. Please confirm any critical requirements with your supplier at time of ordering. © Tecalemit 2013
Issue No: SF 9207 Oct 2013

www.garageequipmentdirect.co.uk

Tel: 024 76491973

