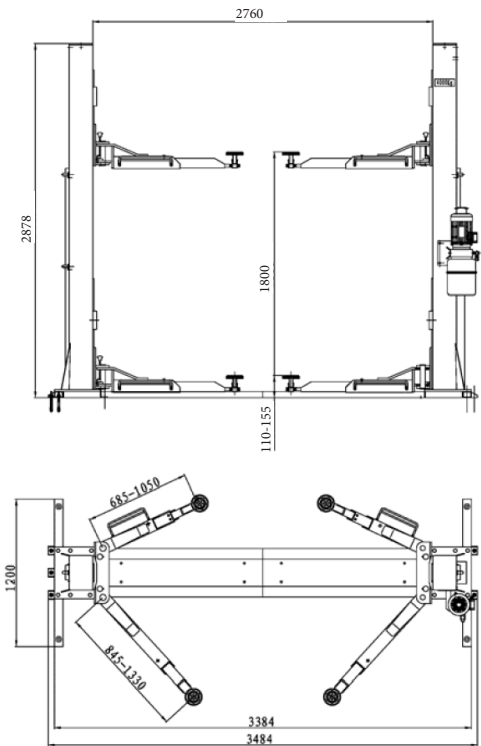


DL240 / Two Post Electro-hydraulic Lift

The **Dunlop DL240 Two Post Electro-hydraulic Lift** is a 4 tonne electro-hydraulic two post lift with an H type baseframe. This lift is suitable for cars and vans (excluding LWB).



TECHNICAL SPECIFICATION

Lifting capacity	4 tonnes	CE Approved	Yes
Lifting time (1 Phase Motor/3 Phase Motor)	75/60 seconds	Packaged Dimensions (Length x Width x Height)	2900mm x 530mm x 700mm
Maximum lifting height	1910mm	Gross weight of lift (including packaging)	700kg
Minimum pad height	110mm - 155mm	Nett weight of lift (excluding packaging)	650kg
Distance between posts (drive through)	2760mm		
Overall width of lift	3484mm		
Front arms (3 stage)	600mm - 1100mm		
Rear arms (2 stage)	845mm - 1330mm		
Maximum Noise level	<70DB (1m)		
Electrical supply (1 Phase)	220/240 Volt (1 Phase)		
Electrical supply (3 phase)	380/415 Volt (3 Phase)		

Specifications/Images subject to change without prior notice. E&OE Images are for illustration purposes only.